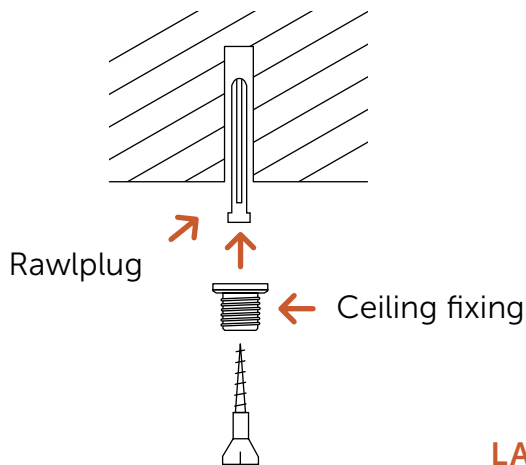


# FLOOR TO CEILING CABLE FIXING INSTRUCTIONS

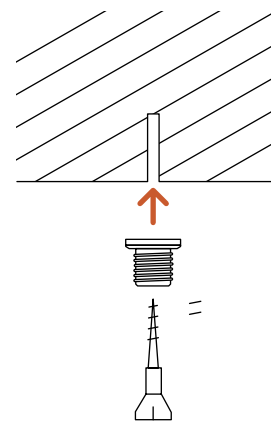
**PLEASE NOTE:** fixing screws are not supplied with these kits as you may require different fixings for different ceiling types.

## CEILING FIXINGS

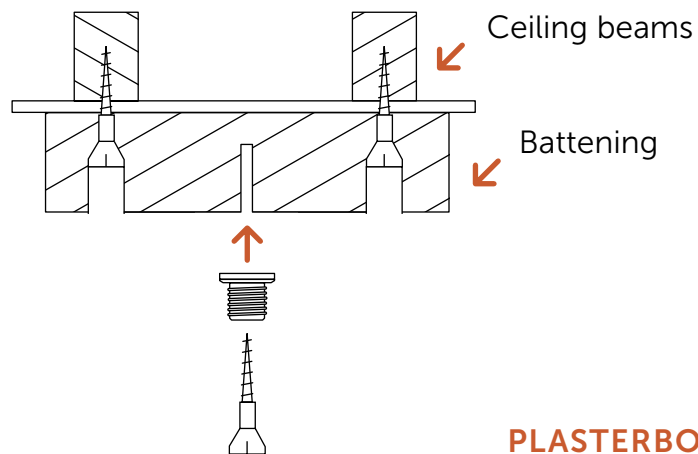
### CONCRETE



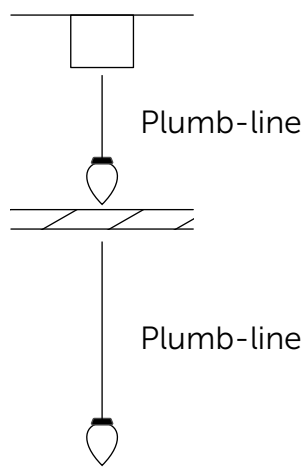
### WOOD



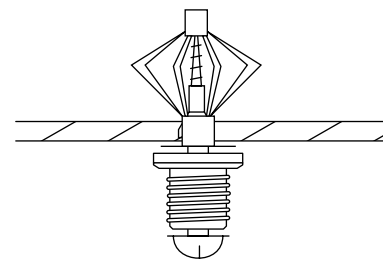
### LATHE & PLASTER



### SUSPENDED CEILING

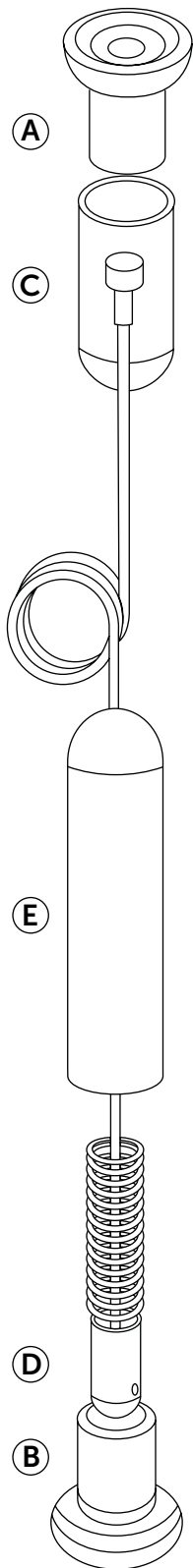


### PLASTERBOARD



For lightweight use only

# INSTALLING FLOOR-TO-CEILING CABLES



## INSTALLING CABLES

Having marked out the floor positions, use a plumb bob to find the location on the ceiling directly over the floor position.

- Ⓐ Unscrew the fixing plate from the ceiling fixing and securely fix to your mark on the ceiling.
- Ⓑ Do the same to the floor with the fixing plate from the cable tensioner.
- Ⓒ Hang the cable from the ceiling fixing allowing it to unwind.
- Ⓓ Ⓔ Ⓑ Undo the small brass fitting Ⓓ attached to the cable inside the tensioner Ⓔ with the 1.5mm allen key provided, slide this along the cable and with the cable pulled tight, re-tighten this fitting, flush with the top edge of the floor fixing. Ⓑ
- Ⓕ Cut off the cable so that it sits 5mm below the top edge of the floor fixing.

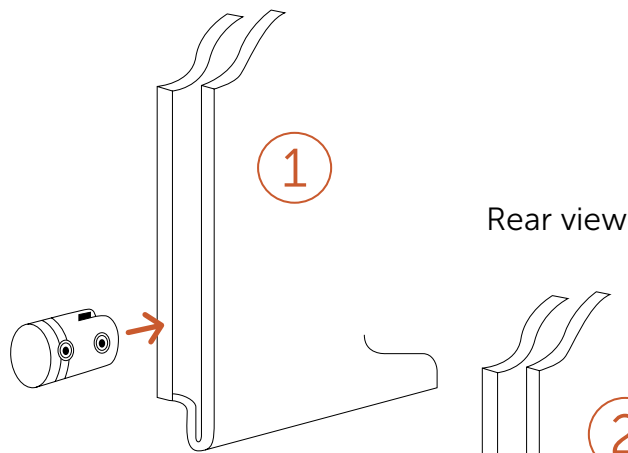
Screw the outer body of the tensioner onto the floor fixing.

You should feel the tension starting to be taken up just before the tensioner is screwed fully down. Check that the cable will pull gently out against the spring. If there is no movement the tension is too strong and the brass fitting needs to be moved down the cable.

Remember, the cable is only as strong as your ceiling fixing.

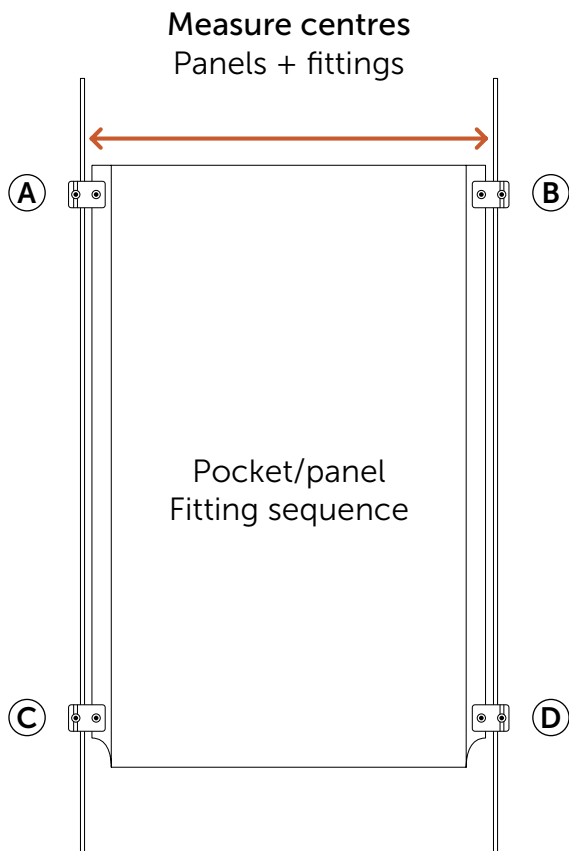
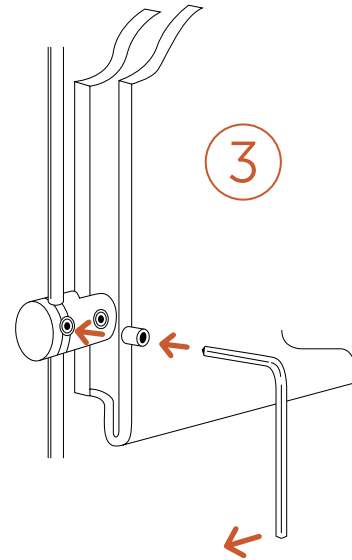
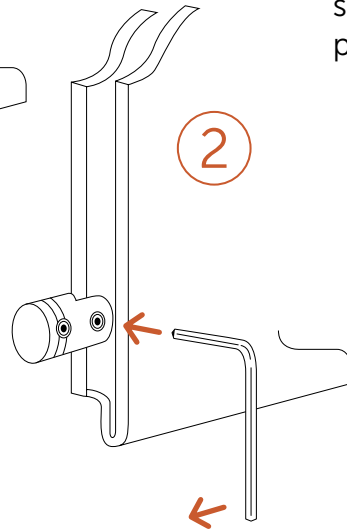
Now you have secured your floor and ceiling fixings, you can begin to add your grips and poster holders as required.

# POCKET FIXING INSTRUCTIONS



Rear view

Attach grippers to the edge of your poster holders and tighten using an Allen key. Then secure the grips to your steel cables, and tighten this part with an Allen key too.



Measure the centres of your panels and fixings before marking or drilling.