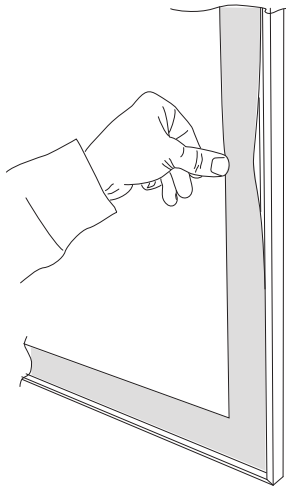


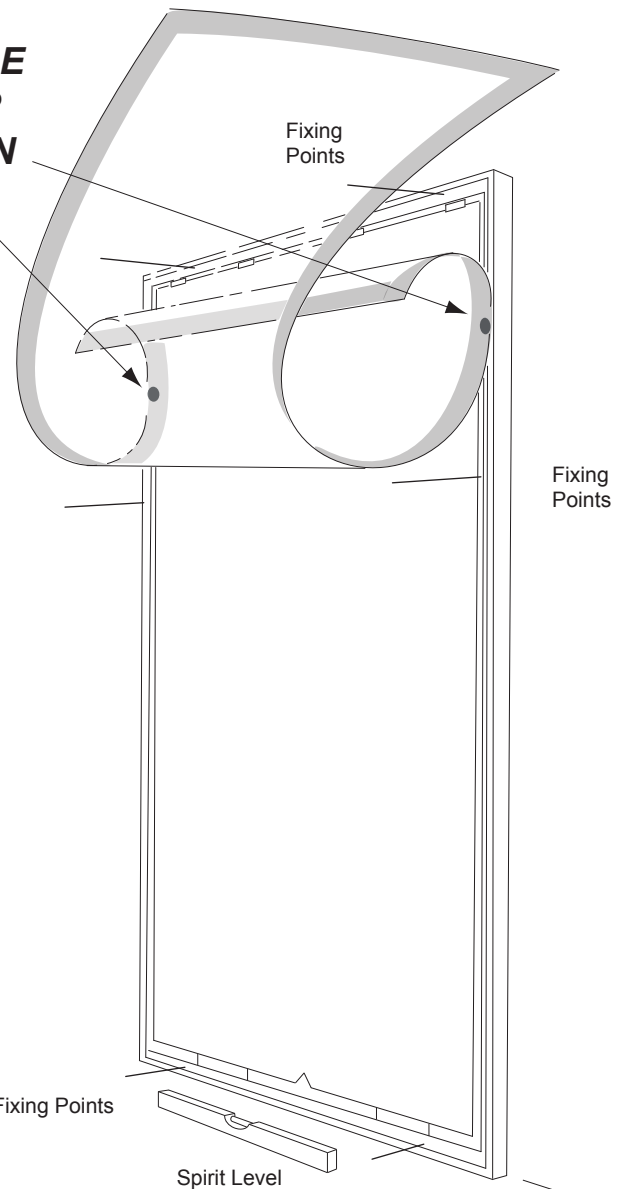
# Hi-Sight Installation Guide

Hi-Sight Poster Frames incorporate a magnetic poster cover



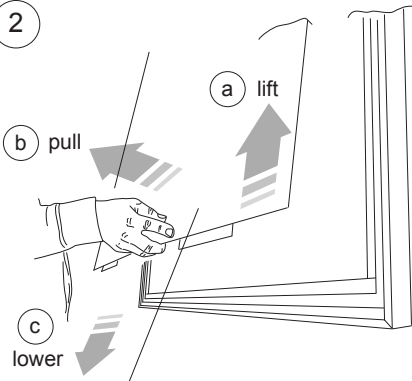
Press inside the vertical border to release the magnetic seal on the cover sheet.

***DO NOT REMOVE THESE FIXINGS FOR INSTALLATION***



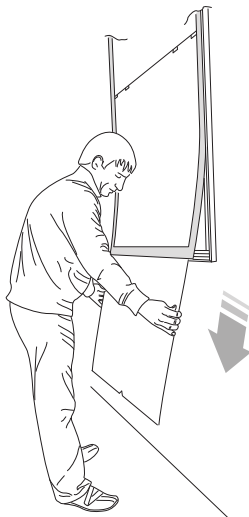
**IMPORTANT**

1. Clean away all swarf & dust after fixing to prevent damage to the cover sheet.
2. Check the sliding operation of the poster carrier as shown below;

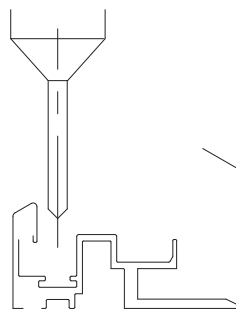


Lift & pull the poster carrier towards you & then lower.

- (d) Guide the poster carrier gently downwards.



Drill through in the position where shown taking care not to damage the frame.



Section through frame.

Typically 1200mm from ground level.

**Hi-Sight Installation Heights.**

Minimum & Maximum height from ground level to the bottom of the frame. Dimensions in mm.

	Min	Max
30/40 Poster size	250	1685
A0 Poster size	250	1610
40/60 Poster size	250	1560
6 Sheet Poster size	250	1520