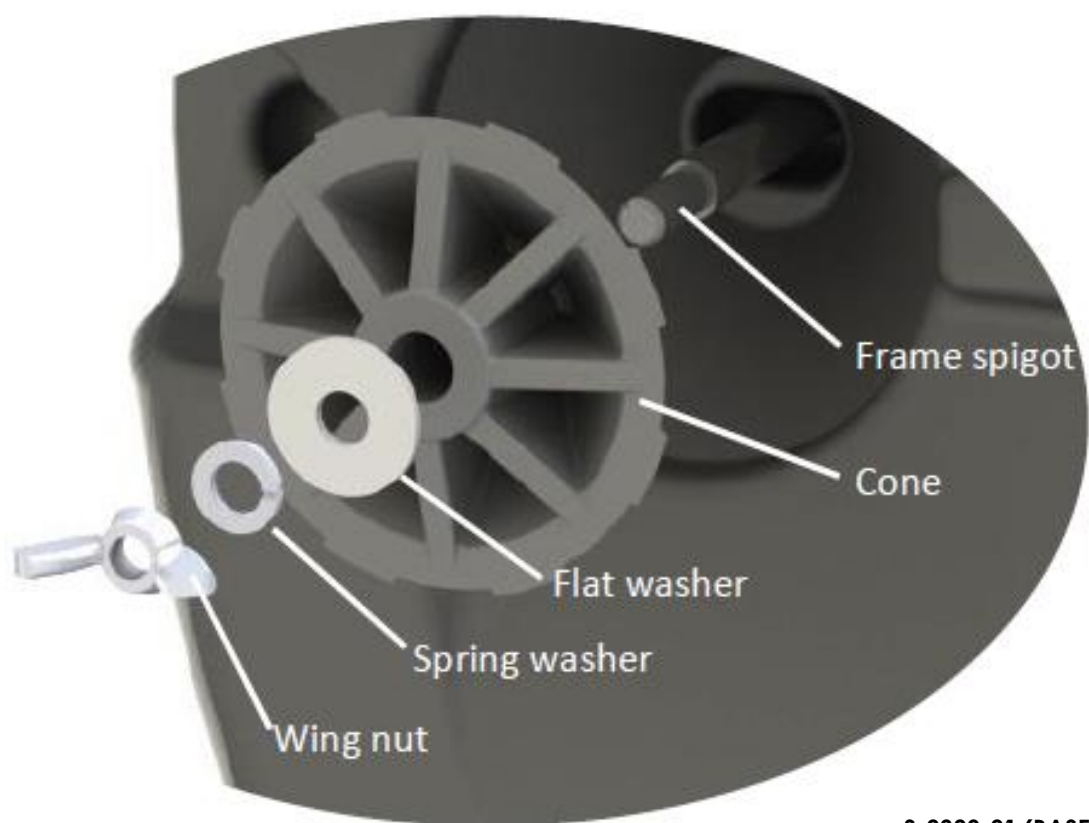


Universal Base attachment instructions...



S-0309-01 (BASE2) – CRN2023-019
(COPYRIGHT© 2023)